

PRODUCT INFORMATION PACKET

Model No: 5KC35JN7X

Catalog No: G1115

General Purpose Motor, 0.25 HP, 1 Ph, 60 Hz, 115/230 V, 1800 RPM, 48 Frame, DP



Regal and Marathon are trademarks of Regal Rexnord Corporation or one of its affiliated companies.

©2022 Regal Rexnord Corporation, All Rights Reserved. MC017097E

Nameplate Specifications

Output HP	0.25 Hp	Output KW	0.19 kW
Frequency	60 Hz	Voltage	115/230 V
Current	5.2,2.6 A	Speed	1725 rpm
Service Factor	1.35	Phase	1
Efficiency	55 %	Power Factor	0
Duty	Continuous	Insulation Class	B
KVA Code	N	Frame	48
Enclosure	Drip Proof	Thermal Protection	Automatic
Ambient Temperature	40 °C	Drive End Bearing Size	6203
Opp Drive End Bearing Size	6203	UL	Recognized
CSA	Yes	CE	N
Number of Speeds	1		

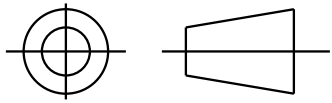
Technical Specifications

Electrical Type	Capacitor Start Induction Run	Starting Method	SM
Poles	4	Rotation	Counterclockwise/Clockwise
Mounting	Resilient Base	Motor Orientation	ANY
Drive End Bearing	BALL	Opp Drive End Bearing	Ball
Frame Material	Rolled Steel	Overall Length	9.57 in
Frame Length	5.79 in	Shaft Diameter	0.500 in
Shaft Extension	1.5 in		
Connection Drawing	52A105383AA	Outline Drawing	52A101469P2

This is an uncontrolled document once printed or downloaded and is subject to change without notice. Date Created:11/28/2022

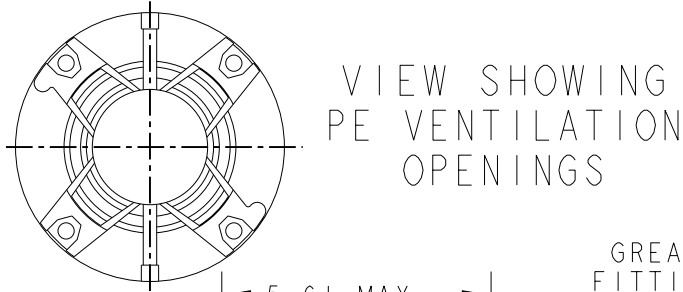
SHEET 10
REV 10
52A101469

THIRD ANGLE PROJECTION

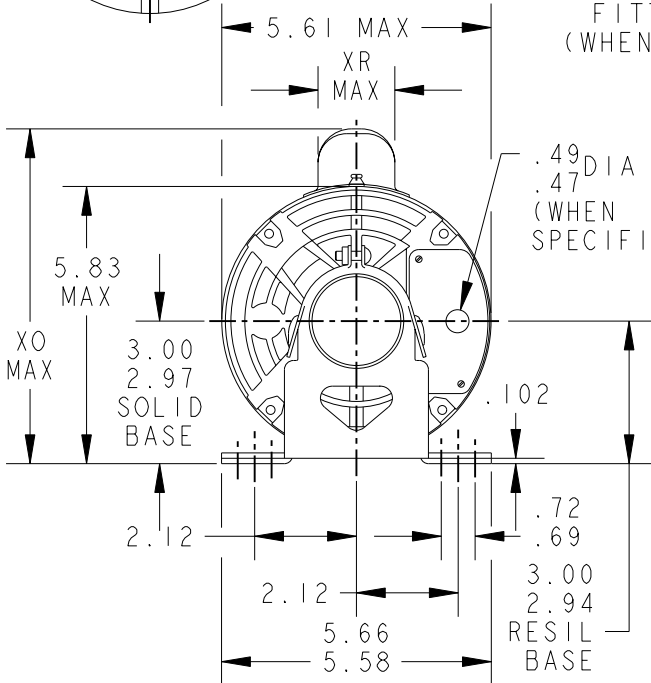


REVISIONS

REV.	DESCRIPTION	DATE	APPROVED
9	REDRAWN NO CHANGE T196-22390	07/10/96	MDP
10	CHG TO RBC FORMAT PER IS 05-1777	12/15/05	GOVARDAN



VIEW SHOWING
PE VENTILATION
OPENINGS

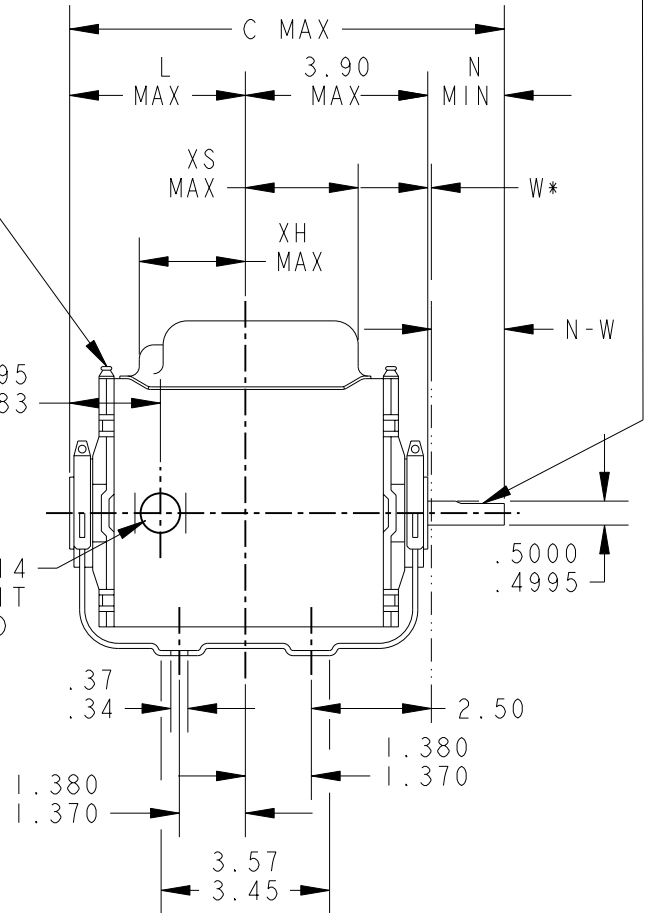


GREASE FITTINGS (WHEN SPEC)

.49 DIA
.47 (WHEN SPECIFIED)

.500-14 CONDUIT THREAD

.05 X (K) LG.
FULL FLAT



*W IS A CLEARANCE DUE TO VARIATION IN PARTS & ASSEMBLY.

7	KC	38	48	11.00	5.65	4.02	7.31	1.60	1.75	1.50	1.63/1.41	1.16
6	KC	35	48Z	10.32	4.22	2.59	7.93	2.22	1.97	2.25	2.38/2.16	1.91
5	KC	36	48	10.00	4.65	3.02	7.93	2.22	1.22	1.50	1.63/1.41	1.16
4	KC	37	48	10.40	5.05	3.42	7.31	1.60	2.35	1.50	1.63/1.41	1.16
3	KC	36	48	10.00	4.65	3.02	7.31	1.60	2.35	1.50	1.63/1.41	1.16
2	KC	35	48	9.57	4.22	2.59	7.31	1.60	1.97	1.50	1.63/1.41	1.16
1	KC	33	48	9.19	3.84	2.21	7.31	1.60	2.35	1.50	1.63/1.41	1.16

PT	TYPE	GE SIZE	NEMA FR	C	L	XH	XO	XR	XS	N	N-W	K
----	------	---------	---------	---	---	----	----	----	----	---	-----	---

SIGNATURES DATE

MODEL GLB 02/18/75

DETAIL . .

CHECKED . .

ENGRG . .

MFG . .

FOR ADDITIONAL INFO REFER TO:

APPLIED PRACTICES

DIMENSIONS ARE IN INCHES ✓

ISSUED MDP 07/10/96

MATERIAL

QUALITY . .

ISSUED MDP 07/10/96

SOLID MODEL: 52A101469



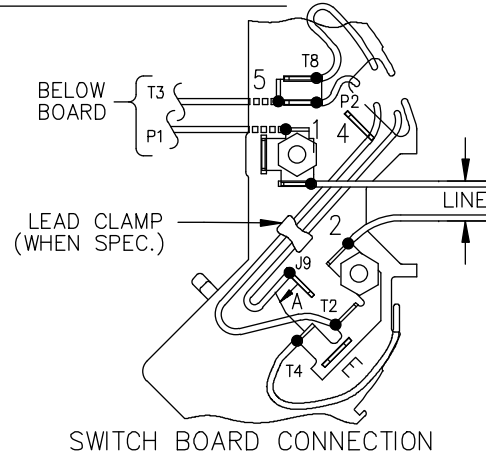
REGAL-BELOIT CORPORATION

TITLE
OUTLINE
FORM N - GENERAL PURPOSE MOTOR - DRIP PROOF -
SOLID OR RESIL BASE - BALL OR SLEEVE BEARING

SIZE DRAWING A
52A101469 REV 10

SCALE: 1.000 REF. No: . SHEET 1 of 1

EITHER ROTATION, DUAL VOLTAGE, TYPE KC OR KH, WITH THERMAL PROTECTION



NOTE #1 - START CAP & J9 WHEN SPECIFIED (*). IF NO CAPACITOR (KH), CONNECT T5 DIRECTLY TO SWITCH (A). WHEN MORE THAN ONE CAPACITOR IS USED, CONNECT IN PARALLEL.

NOTE #2 - TO REVERSE ROTATION, INTER CHANGE RD(T8) AND BLK(J9-KC OR T5-KH) LEADS.

SWITCH REF. - 115D958AB	CONNECTION LABEL	CCW ROTATION: NP52X332051AA
		CW ROTATION: NP52X332051AC

NO.	REVISION	BY & DATE	CHK	TOLERANCES UNLESS SPECIFIED		FINISH	DRAWN	DRAWING NO.	REV.	
				DEC.	INCHES					
				.X	±0.1		M.D.P	06/29/87		
				.XX	±0.02		CHK			
				.XXX	±0.005		APPD	M.D.P	03/26/96	
				.XXXX	±0.0005		SCALE	1=1		
5	ADDED CONNECTION LABEL PER ECO-0030779	UD 02/06/13	PKG	ANG	±1.0		REF			
4	UPDATED PER ISO7-0150	MD 01/23/07					FMF			
							PREV			
THIS DRAWING IN DESIGN AND DETAIL IS OUR PROPERTY AND MUST NOT BE USED EXCEPT IN CONNECTION WITH OUR WORK. ALL RIGHTS OF DESIGN AND INVENTION ARE RESERVED. THIS IS AN ELECTRONICALLY GENERATED DOCUMENT - DO NOT SCALE THIS PRINT				RFP	CAD FILE	52A105383AA	SIZE	A	52A105383AA	5
				DIST						



TITLE CONNECTION DIAGRAM
30 FRAME SWITCH REDESIGN